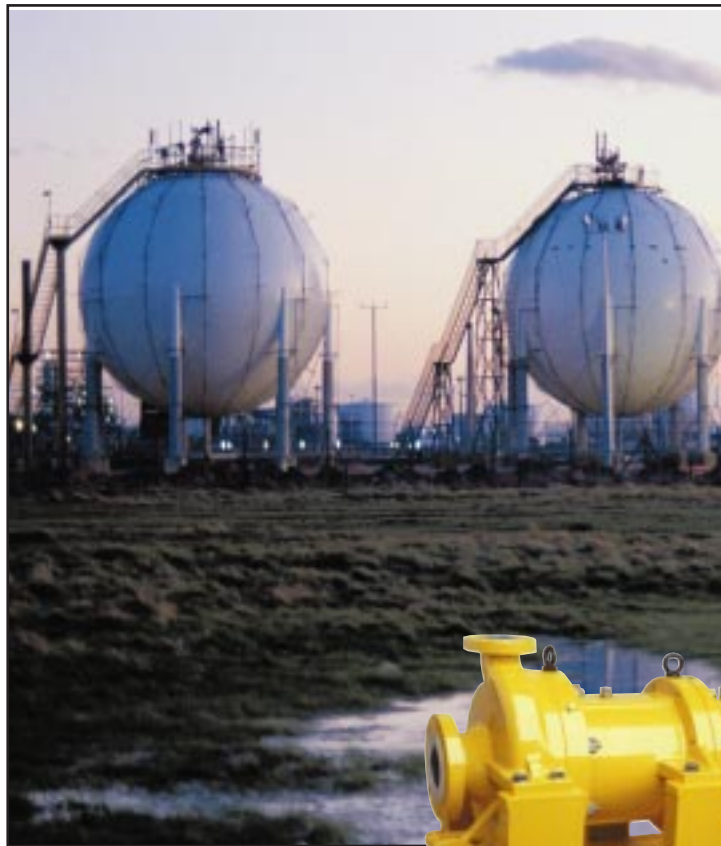


KONTRO[®]

Model GSP

API 610



SUNDSTRAND ™
SEALLESS
ANSIMAG • HMD • KONTRO • SCMP

FEATURES

The **Kontro** Model GSP sealless magnet drive pump for API 610 applications offers total containment which is ideal for hydrocarbon, petrochemical, toxic, aggressive, hot, crystallizing, and valuable products. **KONTRO** pumps have no mechanical seals to leak or fail. A powerful magnetic coupling is used to drive the impeller, eliminating the connection between the impeller and driven shaft. All wetted parts are housed in a rugged containment shell which is sealed by a single, flat gasket.

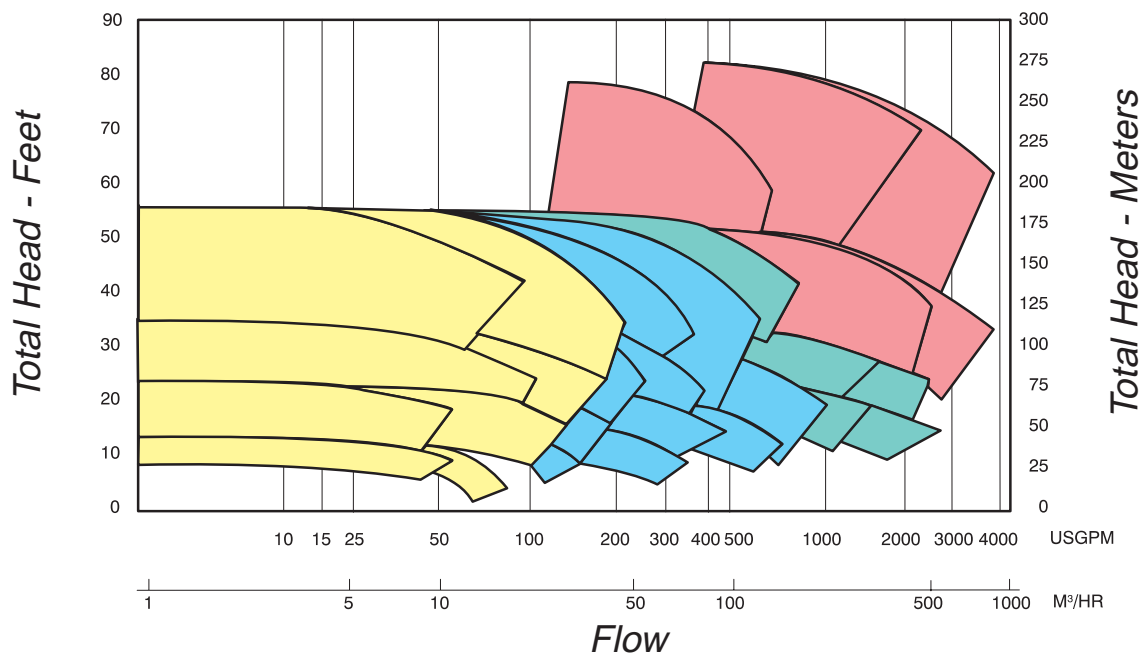
Kontro pump's time proven design, engineering and manufacturing experience provide the refiner and chemical processor with a safe, reliable and durable sealless pump.

GSP Benefits:

- Ease of application
- Design ensures safe, leak free operation
- Low running costs
- Minimal spares required (large degree of interchangeability)
- Minimal downtime/fast maintenance
- Maximizes on-line process time
- Centerline mount design
- Available as torque ring or synchronous design
- Heavy duty fabricated steel drip pan baseplate
- Impeller wear rings (positively retained)

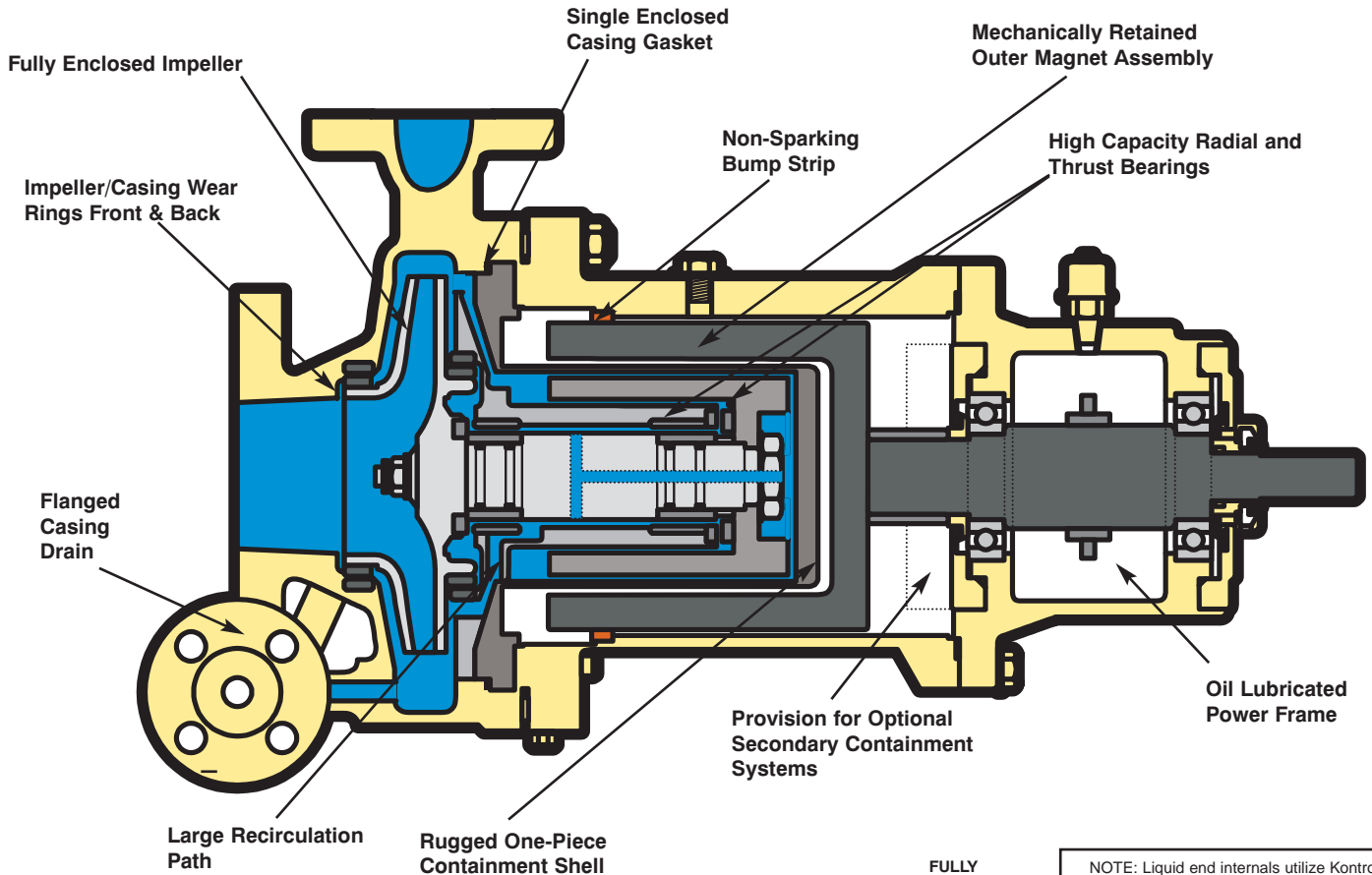
PERFORMANCE

1750 rpm



NOTE: 3500 (2900 RPM) speeds are also available.

MODEL GSP - API 610



FULLY
CENTERLINE
SUPPORTED

NOTE: Liquid end internals utilize Kontro's unique cartridge system, allowing fast, easy maintenance and minimum downtime.

Specifications

Configuration:	Centerline Mount
Number of Sizes:	23
Maximum Capacity:	4000 GPM [910 m ³ /hr]
Maximum TDH:	700 Ft. [213m]
*Maximum Power:	300 HP (250 kW) @ 3500
	175 HP (132 kW) @ 1750
	268 HP (200 kW) @ 2900
	150 HP (110 kW) @ 1450
Materials of Construction:	316SS, Alloy 20, Alloy C, Alloy B, Cast Steel
Magnetic Coupling Type:	Torque Ring & Synchronous
Magnet Material:	SmCo
Bearing Material:	SIC/SIC-standard, SIC/Carbon-optional
Max. Operating Pressure:	275psig [18.9 bar] - standard, 580 psig [40 bar] - optional @ 100°F [38°C]
Min. Operating Pressure:	Full Vacuum
Max. Operating Temperature:	400°F [205°C] - Synchronous - standard
	500°F (260°C) - Synchronous -optional
	662°F (350°C) - Torque Ring - standard
	750°F (400°C) - Torque Ring - optional
	750°F [400°C]- optional
**Min. Operating Temperature:	-40°F [-40°C] - standard
	14°F (-10°C) HT - optional
Max. Viscosity:	200 centistokes
Flanges:	150# RF-standard, 300# RF-optional
Max. Solids Concentration/Size:	5% concentration by weight, max. 150 μ

Typical Applications

Chemical:

Caustic
Ethylene/Propylene oxide
Styrene
Heat Transfer Fluids

General Industry:

Nitric Acid
Caustic
Solvents
Sulfuric Acid
Fatty Acid

OEM:

Heat Transfer Fluids
Caustic

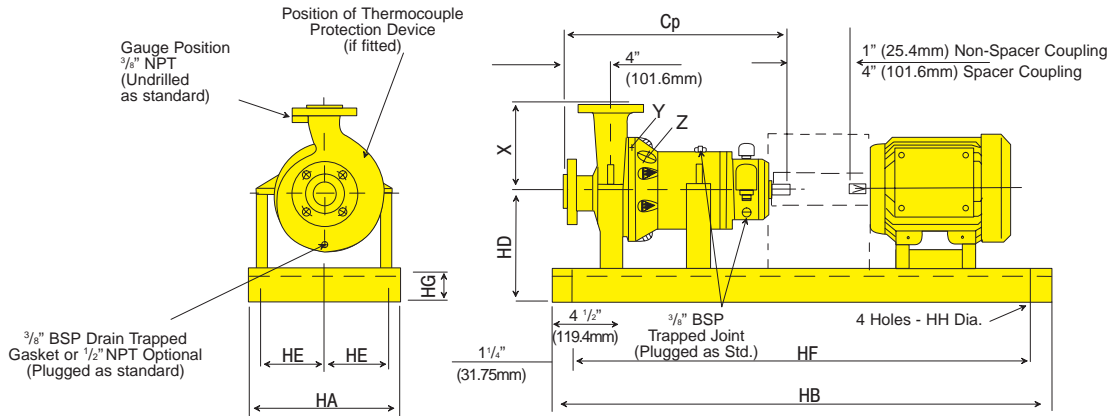
Petroleum:

Sour Water
Hydrocarbons
Amines
Sulfuric Acid

*Higher powers available with electronic soft starting

**Lower temperature available with GSL design

OUTLINE DRAWINGS



Pump Size	Suction		Discharge		X		Cp	
	inches	mm	inches	mm	mm	inches	mm	inches
1 1/2" x 1" x 6"	1 1/2	40	1	25	190	7.48	590	23.20
3" x 1 1/2" x 6"	3	80	1 1/2	40	190	7.48	590	23.20
3" x 2" x 6"	3	80	2	50	190	7.48	590	23.20
1 1/2" x 1" x 8"	1 1/2	40	1	25	200	7.87	590	23.20
3" x 1 1/2" x 8"	3	80	1 1/2	40	200	7.87	590	23.20
4" x 3" x 6"	4	100	3	80	228	8.97	823	32.40
3" x 2" x 8"	3	80	2	50	241	9.48	823	32.40
4" x 3" x 8"	4	100	3	80	300	11.81	823	32.40
6" x 4" x 8"	6	150	4	100	280	11.02	843	33.18
2" x 1" x 10"	2	50	1	25	228	8.97	823	32.40
3" x 1 1/2" x 10"	3	80	1 1/2	40	228	8.97	823	32.40
3" x 2" x 10"	3	80	2	50	241	9.48	823	32.40
4" x 3" x 10"	4	100	3	80	300	11.81	823	32.40
6" x 4" x 10"	6	150	4	100	343	13.50	858	33.70
2" x 1" x 13"	2	50	1	25	266	10.47	833	32.79
3" x 1 1/2" x 13"	3	80	1 1/2	40	275	10.82	833	32.40
3" x 2" x 13"	3	80	2	50	292	11.49	833	32.40
4" x 3" x 13"	4	100	3	80	320	12.59	848	33.38
6" x 4" x 13"	6	150	4	100	By Design Application			
8" x 6" x 13"	8	200	6	150	By Design Application			
10" x 8" x 13"	10	250	8	200	By Design Application			
8" x 6" x 15"	8	200	6	150	By Design Application			
10" x 8" x 15"	10	250	8	200	By Design Application			

Motor Frame	Base Plate	HA	HB ¹	D=5 1/4" (133mm)	HD	D=8 1/4" (209mm)	D=10" (254mm)	HE	HF	HG	HH
		inches/mm	inches/m	inches/mm	inches/mm	inches/mm	inches/mm	inches/mm	inches/mm	inches/mm	inches/mm
143T-145T	1T	12 305	39 990	9 229	12 311	14 356	4 1/2 114.5	36 1/2 927	3 1/2 89	3/4 19	
182T-215T	2T	12 305	39 990	9 229	12 311	14 356	4 1/2 114.5	36 1/2 927	3 1/2 89	3/4 19	
182T-215T	1	12 305	45 1143		12 311	14 356	4 1/2 114.5	42 1/2 1079.5	3 1/2 89	3/4 19	
254T-286T	2	15 381	52 1321	11 281	12 311	14 356	6 153	49 1/2 1257.3	4 102	3/4 19	
324TS-365TS	3	18 457	60 1535	12 311	14 356	15 381	7 1/2 190	58 1472	4 102	1 25	
404TS-447TS	3	18 457	61 1560		14 356	15 381	7 1/2 190	59 1409.7	4 102	1 25	
Larger Motor Sizes	4	18 457	67 1700		15 381	15 381	7 1/2 190	64 163	7 102	1 25	

Drawing is not a certified drawing. Dimensions are for reference only and will vary with pump size selected.

Note: ¹ Baseplate lengths will vary with motor frame pump and motor sizes.
² Motor support portion of baseplate exceeds this dimension.



Manufacturers Representatives, Service Centers and Direct Offices throughout the World.

For a complete list please visit our website at www.sfh.com



Sundstrand Fluid Handling (Arvada, Colorado) and Sundstrand International, S.A. (Dijon, France) are pleased to provide our customers with the added quality assurance benefits of an ISO9001-1994 Quality Management System. Our Quality Management System is certified by Lloyd's Register Quality Assurance, Limited. The certification includes all Sundyne, Sunflo, Sundyne Canned Motor Pumps, Kontro and Sine products designed and manufactured at both plant locations.

WORLDWIDE LOCATIONS

SUNDSTRAND FLUID HANDLING

Arvada, Colorado USA
Phone: +1-303-425-0800
FAX: +1-303-425-0896
www.sfh.com

HMD SEALLES™ PUMPS

Eastbourne, England
Phone: +44-(0)-1323-452000
FAX: +44-(0)-1323-503369
www.hmdpumps.com



Member of
Hydraulic INSTITUTE

© Sundstrand Fluid Handling Corporation 1998
All rights reserved

• ANSIMAG • HMD • KONTRO • MASO • SINE • SCMP • SUNDSTRAND COMPRESSORS • SUNDYNE • SUNFLO •