

## Liquitron™ AC5000 Series Conductivity Controller

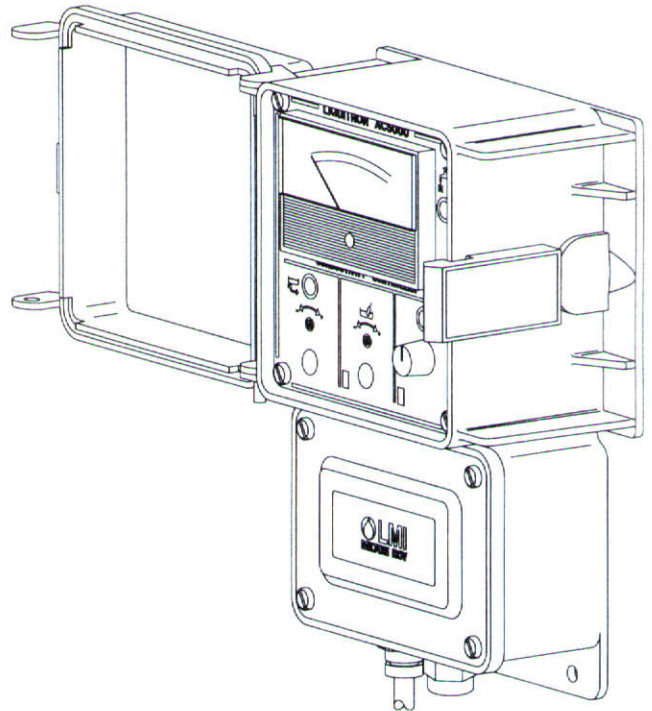
### Cooling Tower

*The AC5000 Series Conductivity Controller is an analog-based control system that will operate in a variety of water treatment applications.*

*The AC5000 provides a variable set point with relay outputs for conductivity control and chemical feed addition.*

*Three (3) selectable feed modes for control of chemical feed pump.*

*A high accuracy analog meter is provided for conductivity monitoring and reading.*



### Features

- 0–5,000  $\mu\text{S}$  Display
- High Accuracy Iron Vane Meter
- Temperature Compensation Input
- Bleed and Feed Indicator Lights
- Flow Switch Input and Indicator
- Adjustable Bleed Conductivity Set Point
- Automatic Hysteresis 6% of Set Point
- Adjustable Calibration
- Meter Test Circuitry
- 4 – 20 mA Recorder Output (Optional)

### Feed Modes

**Feed Limit** (Feed and Bleed Simultaneously)  
1–100 Minutes

**Percentage of Time** (Reset)  
10 Minute Repeating Cycle  
1–100% On-time for each 10 Minute Cycle

**Water Meter Trigger** (Pulse Input)  
1–100 Seconds On-time



8 Post Office Square  
Acton, MA 01720 USA  
TEL: (978) 263-9800  
FAX: (978) 264-9172  
<http://www.limpumps.com>



## Enclosure

### NEMA 12X Type (prewired version)

Hardwiring makes the unit suitable for NEMA 4X applications.

### Material (Housing)

Flame retardant, molded TPE

### Material (Cover)

Clear molded polycarbonate, padlockable

### Environment

32° F to 122° F (0° C to 50° C)

0 to 95% (non-condensing) relative humidity

## Relays

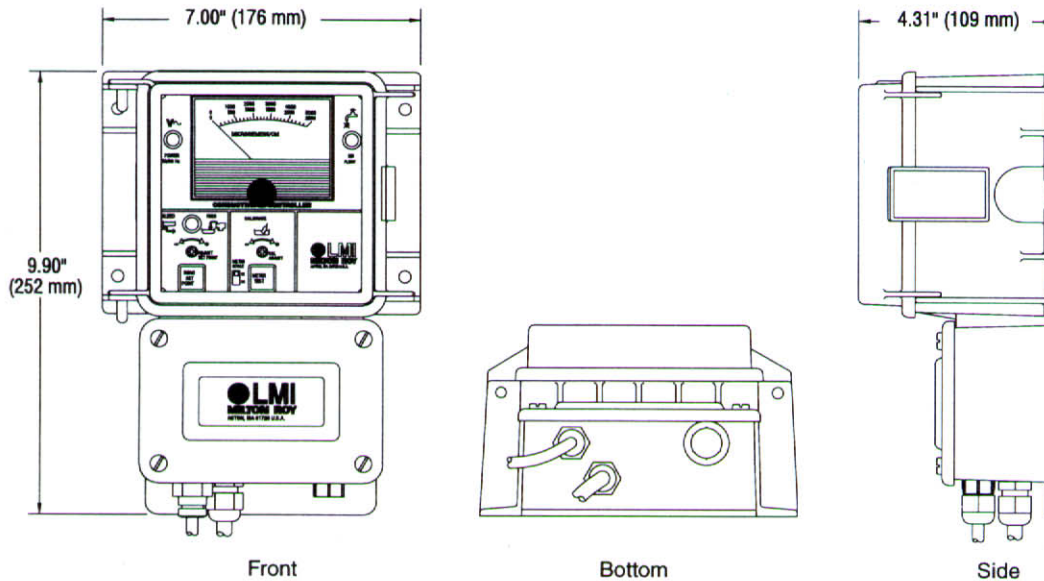
One (1) relay. Unit fused for 10 Amp total load.  
10 Amp @ 115 VAC, 5 Amp @ 230 VAC.

## Hardware

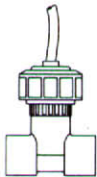
115 VAC, 50/60 Hz units provided with a 6 ft (2 m) grounded power cord & plug and two (2) 1 ft (30 cm) output power cords with grounded receptacles for controlled devices.

230 VAC, 50/60 Hz units provided with 6 ft (2 m) grounded power cord & plug and throughput connectors for hardwire connection of controlled devices.

## Dimensions

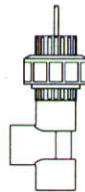


## Options



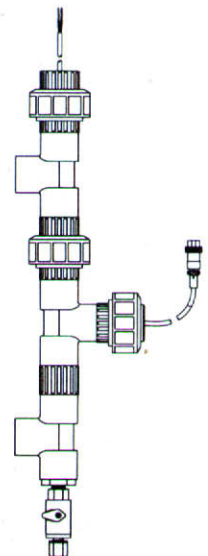
### Conductivity Probes

- Cooling tower
- 3/4" piping
- Threaded or FSLIP
- Hardwire or quick connector



### Flow Switch

- Threaded or FSLIP piping
- 3/4" piping
- Quick disconnect for cleaning
- Hardwire or quick connector



### Manifolds

- Flow switch
- Conductivity probe
- Sample valve
- 3/4" piping
- Threaded or FSLIP