

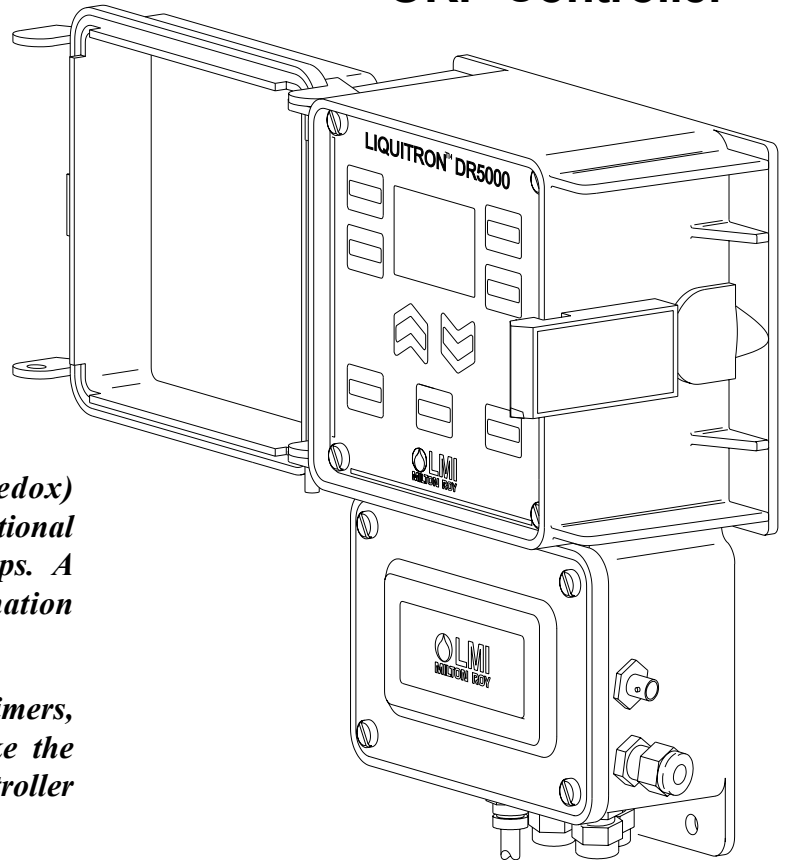
Liquitron™ DR5000 Series ORP Controller

Applications




- Cooling Water
- Waste Treatment
- Surface Finishing
- Chlorination
- De-Chlorination
- Food Processing

The DR5000 is a dual-channel ORP (redox) Controller providing either relay or proportional pulse outputs to drive chemical metering pumps. A custom backlit display provides constant information regarding controller and system conditions.

High and low alarm points, delay and limit timers, and other user programmable features make the DR5000 the most adaptive ORP (redox) Controller available.



Features

- Custom Backlit LCD Display
- High and Low Set Points
- Limit Timers for Each Output
- ± 2000 mV Scale
- ORP Programmable Response Delay
- 4–20 mA Recorder Output (Option)
- Proportional Pulse or Relay Output both Standard
-  ,  and  certified

Display Items

- Current mV Value
- Current mA Output Level
- Current Pump Speed
- Timer Settings and Readings
- Alarm Conditions



8 Post Office Square
Acton, MA 01720 USA
TEL: (978) 263-9800
FAX: (978) 264-9172
<http://www.lmipumps.com>



Enclosure

NEMA 12X Type (prewired version)

Hard wiring makes the unit suitable for NEMA 4X applications

Material (Housing)

Flame retardant, molded TPE

Material (Cover)

Clear molded polycarbonate, padlockable

Environment

32° F to 122° F (0° C to 50° C)
0 to 95% Relative Humidity (non-condensing)

Hardware

115 VAC & 230 VAC Proportional units provided with a 6 ft (2 m) grounded power cord & plug and two 10 ft (3 m) output cables for direct connection to '7' and '9' Series LMI pumps.

115 VAC On/Off units provided with 6 ft (2 m) grounded power cord & plug and two 1 ft (30 cm) output power cords with grounded receptacles for pumps.

230 VAC On/Off units provided with 6 ft (2 m) grounded power cord & plug and throughput connectors for hardwire connection of pumps.

Electrical

Input

115 VAC, 50/60Hz or
230 VAC, 50/60Hz

Control Output (On/Off)

Five (5) relays, 10 amp @ 115 VAC, 5 amp @ 230 VAC,
Unit fused for 10 amp total load

Control Output (Proportional)

Pulse output signal (100ms pulse width), open collector

Alarm Output

Switch closure
2 relays, 10amp @ 115 VAC (5amp @ 230 VAC)
1 relay for pump A, 1 relay for pump B

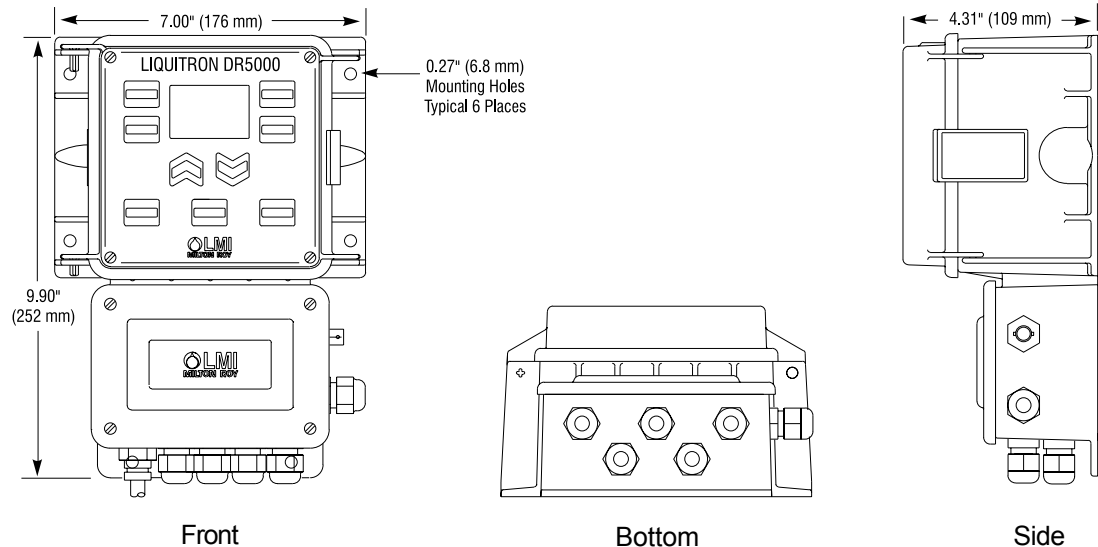
Signal Input

BNC type

Data Output

4–20 mA spanning the ORP range

Dimensions



Operational

Display

Custom multiline backlit LCD

ORP Scale

± 2000 millivolts

Limit Timers

Adjustable 0-11 hours

Differential (hysteresis)

Keypad adjustable