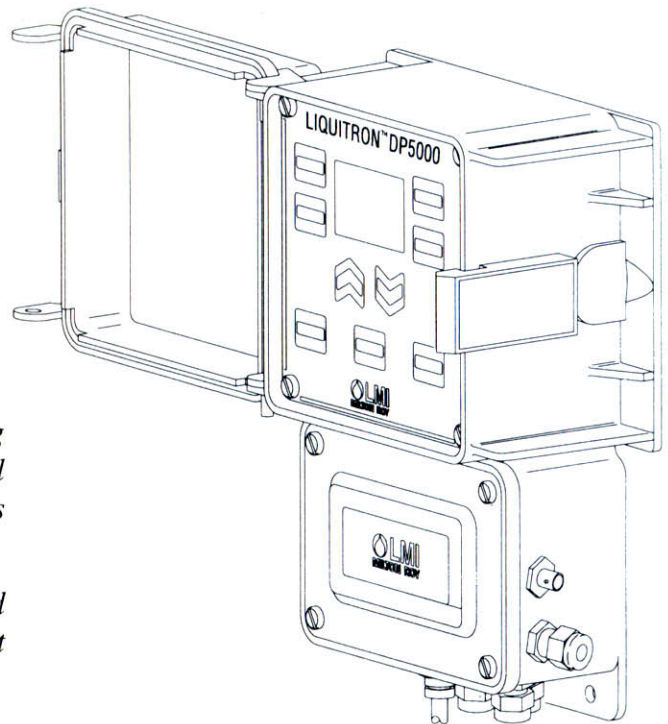


Liquitron™ DP5000 Series pH Controller

Cooling Water
Waste Neutralization
Process Control
Environmental
Metal Finishing

The DP5000 is a dual channel pH Controller providing either relay or proportional pulse outputs to drive chemical metering pumps. A custom backlit display provides constant information regarding controller conditions.

High and low alarm points, delay and limit timers, and other programmable features make the DP5000 the most adaptive pH controller available.



Features

- Custom Backlit LCD Display
- Temperature Reading
- High and Low Set Points
- Proportional Pulse or Relay Output Both Standard
- Limit Timers for Each Output
- pH Programmable Response Delay
- Single and Dual Point Calibration
- 4–20 mA Recorder Output (Option)
- 0–14 pH Scale

Display Items

- Current pH Value
- Current mA Output Level
- Current Pump Speed
- Temperature
- Timer Settings and Readings
- Alarm Conditions



8 Post Office Square
Acton, MA 01720 USA
TEL: (508) 263-9800
FAX: (508) 264-9172
<http://www.lmipumps.com>



Enclosure

NEMA 12X Type (prewired version)

Hard wiring makes the unit suitable for NEMA 4X applications.

Material (housing)

Flame retardant, molded TPE

Material (cover)

Clear molded polycarbonate, padlockable

Environment

32° F to 122° F (0° C to 50° C)

0 to 95% (non-condensing) relative humidity

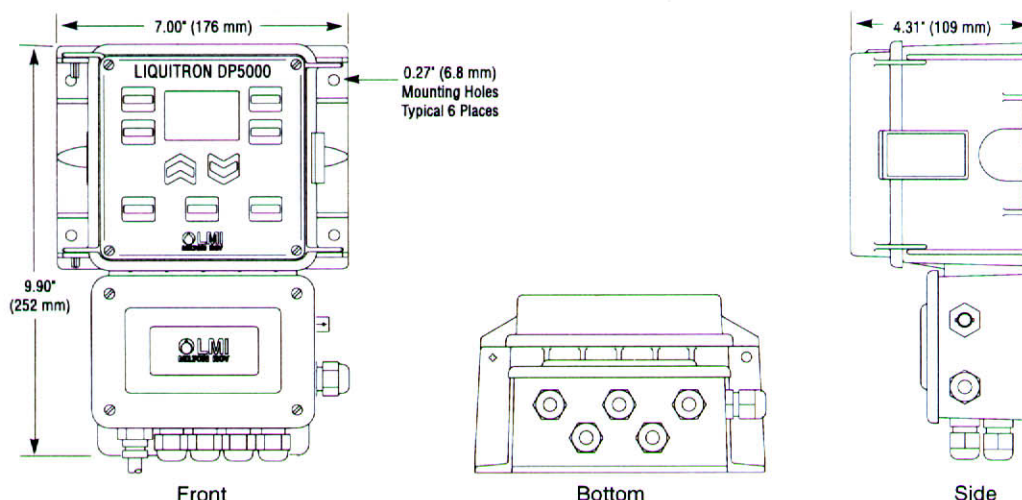
Hardware

115 VAC proportional units provided with a 6 ft (2 m) grounded power cord & plug and two (2) 10 ft (3 m) output cables for direct connection to Series 7 and 9 LMI pumps.

115 VAC On/Off units provided with 6 ft (2 m) grounded power cord & plug and two (2) 1 ft (30 cm) output power cords with grounded receptacles for pumps.

230 VAC, 50/60 Hz units provided with 6 ft (2 m) grounded power cord & plug and throughput connectors for hardwire connection of pumps.

Dimensions



Electrical

Input

115 VAC, 50/60 Hz. or
230 VAC, 50/60 Hz.

Control Output (On/Off)

2 relays, 10 Amp @115 VAC (5 Amp @230 VAC)
Unit fused for 10 Amp total load

Control Output (proportional)

Low voltage modulated pulse (two)

Alarm Output

Switch closure
2 relays, 10 Amp @115 VAC (5 Amp @230 VAC)
1 relay for high alarm, 1 relay for low alarm

Signal Input

BNC type

Data Output

4-20 mA spanning the pH range

Operational

Display

Custom multiline backlit LCD

Temperature

Process temperature range 32° F to 212° F (0° C to 100° C)

pH Scale

0-14 pH units, 0.01 resolution

Limit Timers

Adjustable 0-11 hours

Differential (hysteresis)

Keypad adjustable