

Instruction Supplement

Conductivity Manifold (LMI Part Number 35658)

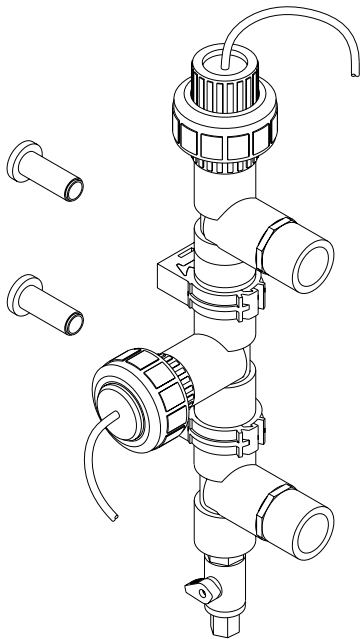


IMPORTANT

The threaded fittings (with the Teflon® tape) in the manifolds are only hand tightened when shipped. When installing, ensure that all these fittings are *fully tightened* to prevent leaking.



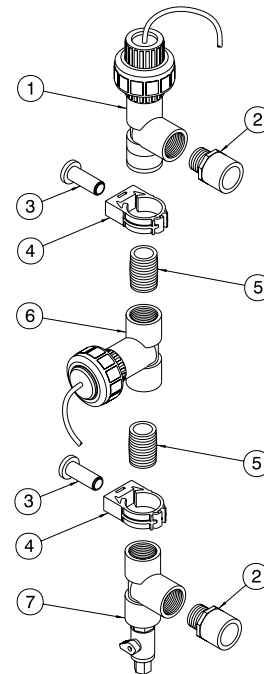
Assembled View



**LMI Part Number 35658
Conductivity Manifold**

- | | | |
|---|-------|---|
| 1 | 36131 | Flow Switch w/3.5 mm plug |
| 2 | 36044 | 3/4" NPT Thread to FSLIP Adaptor |
| 3 | 34541 | Standoff |
| 4 | 32829 | Clamp |
| 5 | 29575 | Nipple |
| 6 | 35659 | Conductivity Probe and Tee (34659 Probe only) |
| 7 | 35666 | Sample Valve |

- All manifolds come with:
 - Sample Valve
 - 3/4" FSLIP to Threaded Piping Adaptor
 - Hold-down Mounting Brackets
 - 0.75 gallon per minute Flow Rate Switch
- All individual Tee assembly components of manifold are 3/4" NPT to allow for ease of assembly/disassembly
- Pressure tested to 100 psi



Exploded View



8 Post Office Square
Acton, MA 01720 USA
TEL: (978) 263-9800
FAX: (978) 264-9172
<http://www.lmipumps.com>



© 2000 LMI Milton Roy - All Rights Reserved
Printed in USA

Specifications subject to change without notice.

Teflon is a registered trademark of E. I. du Pont de Nemours & Co., Inc.

1941.A5/00