



The WFS6704 SERIES MICRO FLOWSWITCH is designed to precisely detect increasing or decreasing flow rates of liquids in critical processes. This makes it ideally suited to monitor the output of metering pumps and provide continuous verification that chemical is being injected.

Adjustable Liquid Series Flow Switch

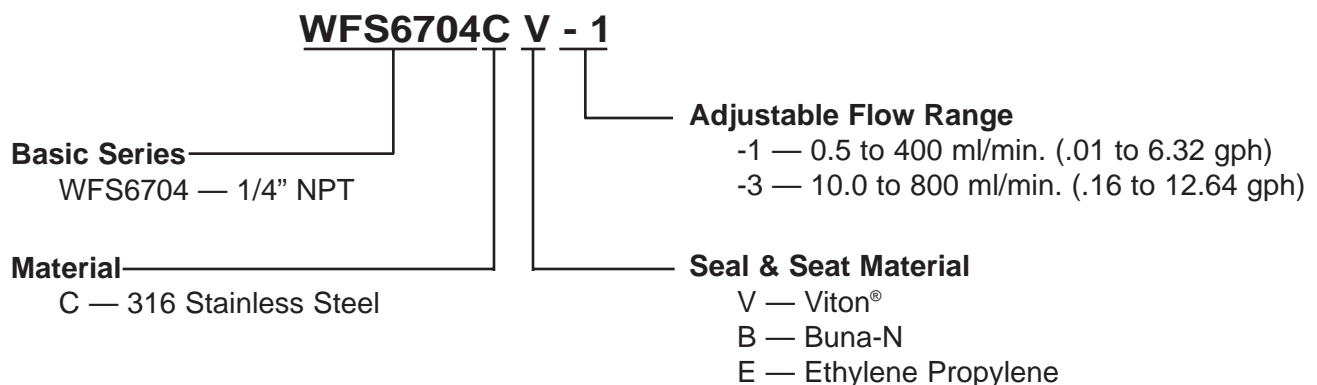
The Micro Flowswitch is mounted in the pump discharge line and senses the output flow of the pump. The linear high resolution adjustment allows for precise settings of the switch. The output of the flowswitch can be connected to a remote indicator, counter, or alarm to alert operations of "flow conditions" of a chemical injection pump or process.



FEATURES

- **Explosion Proof**
Class I, Division 1&2,
Groups A, B, C, D
Class II, Division 1&2,
Groups E, F, G
- **Fully Field Adjustable**
- Operates In Any Orientation
- **Operating Temperature:**
-40° F to +300° F (-40° C to +150° C)
- **Operating Pressure:**
3000 PSIG Operating (207 bar)
- Corrosion Resistant 316 Stainless Steel
- Shock & Vibration Resistant
- 1/4" NPT Connections
- Miniature Compact Size

PART NUMBER FOR ORDERING



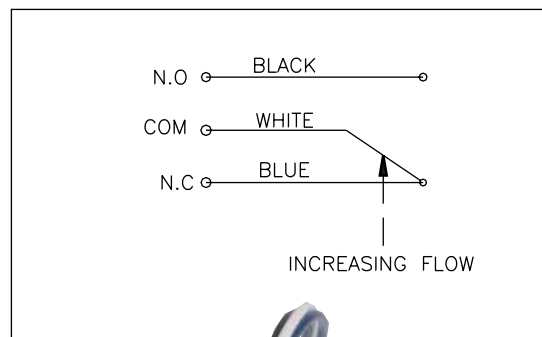
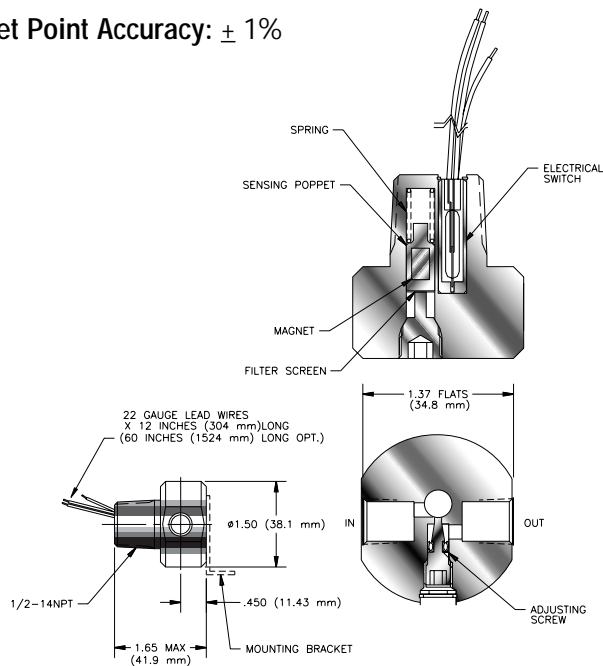
WFS6704

MICRO FLOW SWITCH

SPECIFICATIONS

- **Switch Assembly** - SPDT UL File #61760
- 3 Watt Max. Continuous
- 0.25 Amp Max. Switching
- 175 VAC, VDC Max.
- 0.20 Ohm Max. Contact Resistance
- **Adjustable Flow Rate Set Point:**
 - 1 0.5 ml/min. to 400 ml/min. Water
 - 3 10.0 ml/min. to 800 ml/min. Water
- **Fluid Media:**
 - Liquids including Corrosives
- **Pressure:**
 - 3000 PSIG Max. (207 BAR)
- **Operating Temperature:**
 - 40° F to +300° F Max. (-40° C to +150° C)
- **Leakage:**
 - 1x10⁻⁷ cc/sec. Helium Maximum
- **Set Point Accuracy:** ± 1%
- **Response Time:**
 - 10 Milliseconds Max.
- **Deactuation (reset):**
 - Less than 12% of Actuation Set Point.
- **Internal Filter:**
 - 40 Micron
- **Materials:**
 - Body and Wetted Parts: As Specified
 - Spring: Inconel
 - Seals: As Specified
- **Weight:**
 - 45lbs (205gm.)
- **Viscosity:**
 - Maximum recommended viscosity is 4500 SSU (Saybolt Seconds Universal) or 100 CP (Centipoise)*

*For higher viscosities consult the factory



Switch shown actual size

For more info contact us at:

