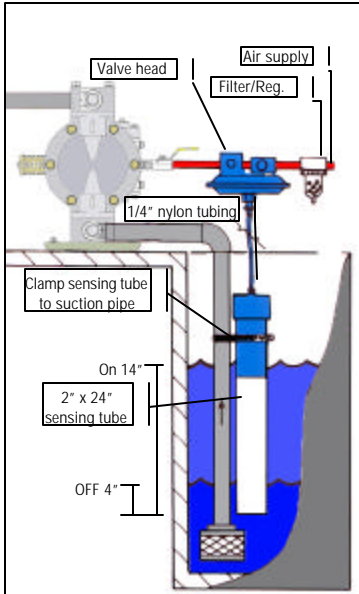
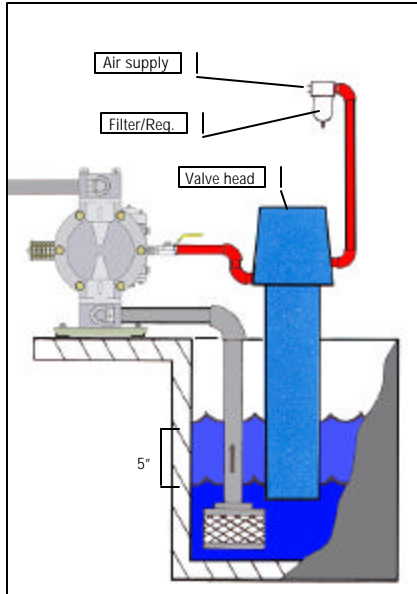


# Accessories

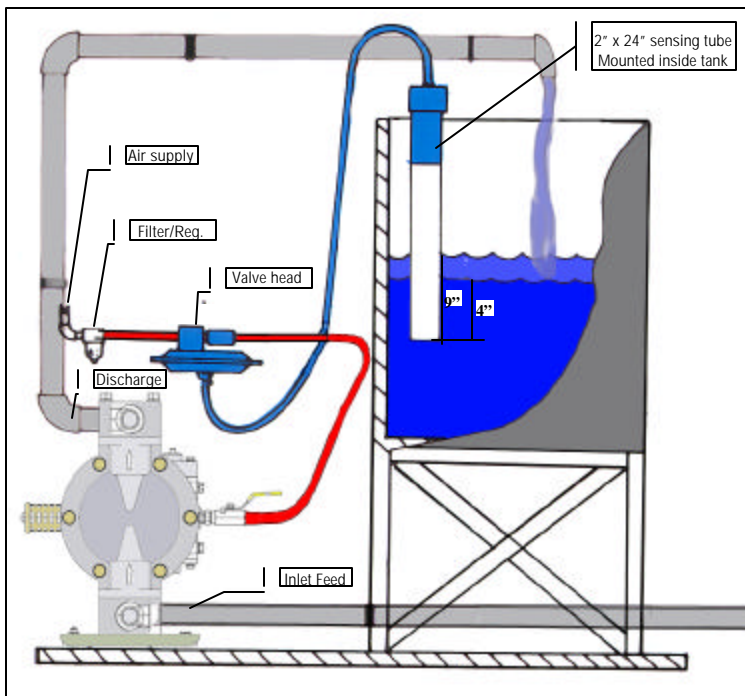
**Remote Mount  
Normally Closed**



**Direct Mount  
Normally Closed  
(Control head mounted  
directly to sensing tube)**



**Remote Mount  
Normally Open  
Maintaining liquid level**



## LLC-1 and LLC-1010 Liquid Level Controllers

Yamada Liquid Level Controllers are designed for controlling the liquid level in fluid reservoirs 12 inches or deeper. The reliable controllers can be utilized for either filling or emptying operations and are available for all models of Yamada Pumps.

### Operation:

The LLC-1 and LLC-1010 consist of a sensing tube (installed in the fluid) and valve head which is connected to the compressed air supply line in series with the pump. As the liquid rises in the sensing tube, air pressure within the tube increases. This increase in pressure is transmitted to a diaphragm (non-wetted) in the valve head (via a nylon tube for remote mount), activating an air pilot valve which OPENS or CLOSSES the main valve, turning the air supply to the pump ON or OFF. A Normally Closed (air line closed) configuration would typically be used for an emptying application such as a sump. A Normally Open (air line open) configuration would be used for a filling application such as maintaining a tank level.

### Key Advantages

- Completely pneumatic
- Energy saving
- Close differential (5-6")
- Wide differential (10-12")
- Float less
- Crisp on/off reliability
- Standard 3-way design dumps line pressure between control head and pump

Industry flows  
through **Yamada** pumps  
CALL TOLL FREE 1.800.990.7867

Yamada America, Inc  
1200 Nuclear Drive  
West Chicago, IL 60185  
Phone: 630.231.4083  
Fax: 630.231.7405  
www.yamadapump.com  
sales@yamadapump.com

# LLC-1 & LLC-1010

The **LLC-1** is available for all Yamada NDP Series Pumps ¼" through 1" port size. It can be ordered for either emptying (normally closed control) or filling (normally open control) and with either Wide Differential (turns ON or OFF when fluid rises 10" to 12") or Close Differential (turns ON or OFF when fluid rises 4" to 6").

The **LLC-1010** is available for Yamada NDP Series Pumps 1 ½" through 3" port size. It is configured for Normally Closed control and Close Differential ONLY

## Specifications:

Filtered compressed air at 40 to 105PSI  
 Temperature Range 35° to 180°F  
 Buna N diaphragm standard (non-wetted)  
 (Teflon also available - Consult Yamada)

### LLC-1:

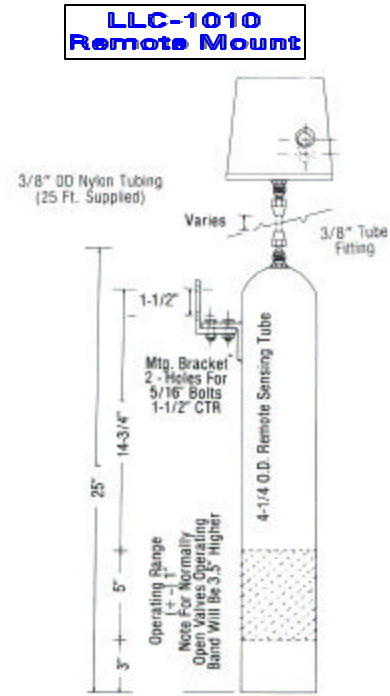
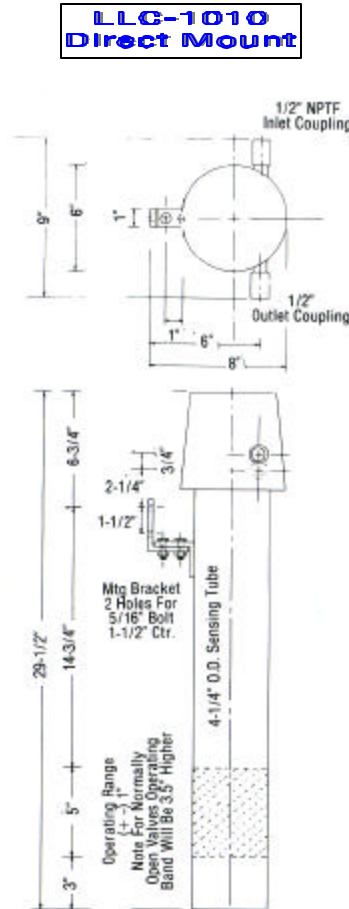
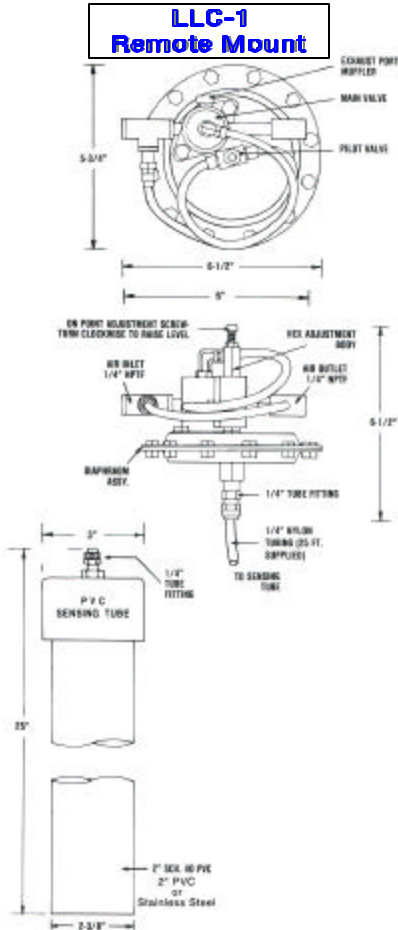
Valve size: ¼" NPT  
 Maximum flow: 35CSFM  
 Tubing: 25 feet of ¼" Nylon Tubing (remote mount)

Model	For Pump Models	Valve Configuration	Differential	Dip Tube
LLC-1NCWD	NDP 5-25 Series Pumps 1/4" to 1"	Normally Closed (NC)	Wide (12")	PVC
LLC-1SNCWD		Normally Closed (NC)	Wide (12")	Stainless
LLC-1NCCD		Normally Closed (NC)	Close (6")	PVC
LLC-1SNCCD		Normally Closed (NC)	Close (6")	Stainless
LLC-1NOCD		Normally Open (NO)	Close (6")	PVC
LLC-1SNOCD		Normally Open (NO)	Close (6")	Stainless
LLC-1010	NDP 40-80 Series Pumps 1-1/2 to 3"	Normally Closed (NC)	Close (5")	Steel
LLC-1010P		Normally Closed (NC)	Close (5")	Polypropylene
LLC-1010R		Normally Closed (NC)	Close (5")	Remote Steel
LLC-1010RP		Normally Closed (NC)	Close (5")	Remote Polypropylene
LLC-1010RSS		Normally Closed (NC)	Close (5")	Remote Stainless

### LLC-1010:

Valve Size: ½" NPT  
 Maximum Flow: 125 SCFM  
 Tubing: 25 feet of 3/8" Nylon Tubing (remote mount)

Additional materials available – consult Yamada



Your local distributor:

Form #LC0402